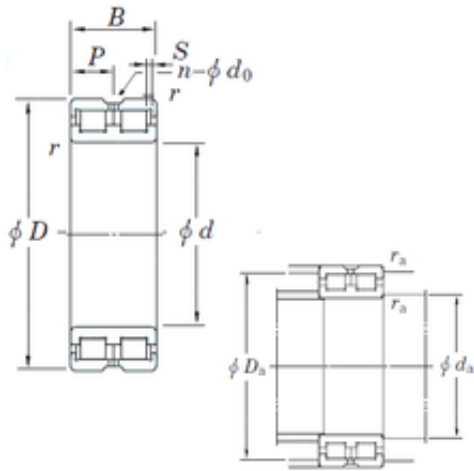




BEARING-THAILAND CO.,LTD



DC4940VW KOYO Full complement cylindrical roller bearings

Bearing No. DC4940VW

DC4940VW Bearing 2D drawings and 3D CAD models

Size	200x280x80 mm
Bore Diameter	200 mm
Outer Diameter	280 mm
Width	80 mm
d	200 mm
D	280 mm
B	80 mm
C	80 mm
n	6 mm
p	40 mm
r min.	2,1 mm
S	5 mm
da min.	212 mm
Da max.	268 mm
ra max.	2 mm
Weight	15,7 Kg
Basic dynamic load rating (C)	667 kN
Bearing No.	DC4940VW
r(min)	2.1
Cr	667
C0r	1500
S	5 mm
P	40
n(qty)	6
do	6



BEARING-THAILAND CO.,LTD

da(min)	212
Da(max)	268
ra(max)	2
(Refer.)Mass(Fixed side)(kg)	15.3