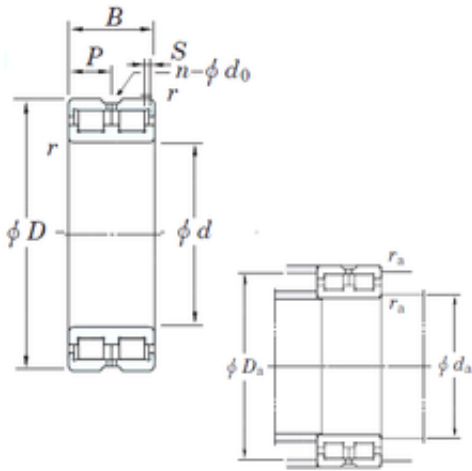




# BEARING-THAILAND CO.,LTD



## DC4864VW KOYO Full complement cylindrical roller bearings

Bearing No. DC4864VW

DC4864VW Bearing 2D drawings and 3D CAD models

Size	320x400x80 mm
Bore Diameter	320 mm
Outer Diameter	400 mm
Width	80 mm
d	320 mm
D	400 mm
B	80 mm
C	80 mm
n	8 mm
p	40 mm
r min.	2,1 mm
S	6 mm
da min.	332 mm
Da max.	388 mm
ra max.	2 mm
Weight	24,3 Kg
Basic dynamic load rating (C)	832 kN
Bearing No.	DC4864VW
r(min)	2.1
Cr	832
C0r	2310
S	6 mm
P	40
n(qty)	8
do	6



## BEARING-THAILAND CO.,LTD

da(min)	332
Da(max)	388
ra(max)	2
(Refer.)Mass(Fixed side)(kg)	23.5